



The Evacuator Series presents many advantages over current offerings.

HIGH EFFICIENCY PORTABLE UTILITY PUMPS

Rule your dewatering! Backed by the Rule brand of DC pumps, a brand enjoying over 45 years of operational excellence, the Evacuator series is a new line of high efficiency portable utility pumps.

Providing a robust 2000 GPH, a capable 4000 GPH, or a sizeable 8000 GPH, the Evacuator series provides a perfect collaboration between size and functionality. The series offers smaller and lighter form factors than comparable pumps. The innovative power connection, which allows for direct operation from your vehicle's 12 volt battery via two heavy duty battery clips, provides flexibility for use in work environments requiring fast, efficient removal of water.

Perfect for dewatering and drainage applications:

- Construction sites dewatering
- Foundation trenches dewatering
- General "off grid" dewatering situations
- Basement drainage
- Pool drainage
- Bunker drainage on golf courses
- Emergency boat drainage
- Sewer system flood water removal

Evacuator Series Features and Benefits

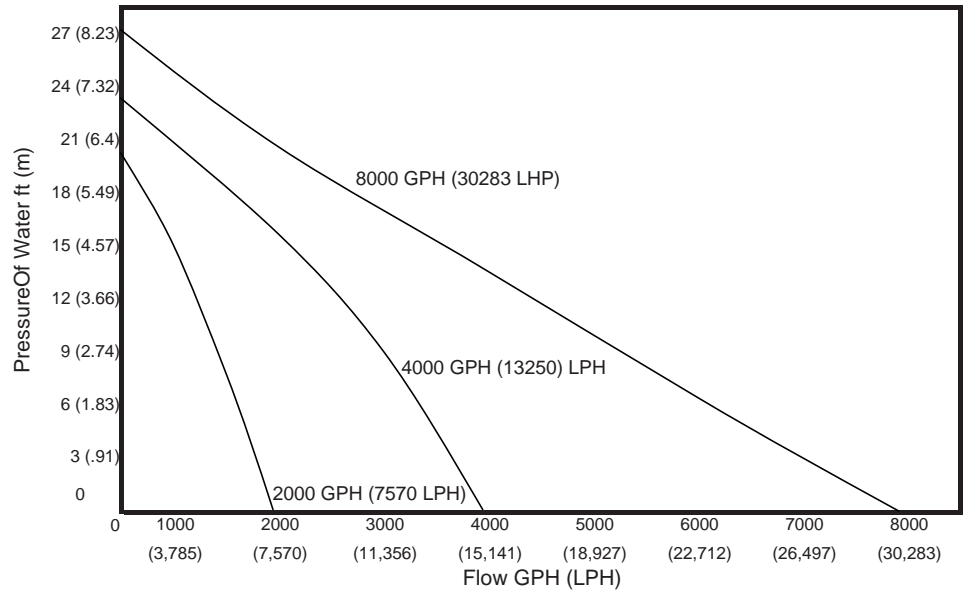
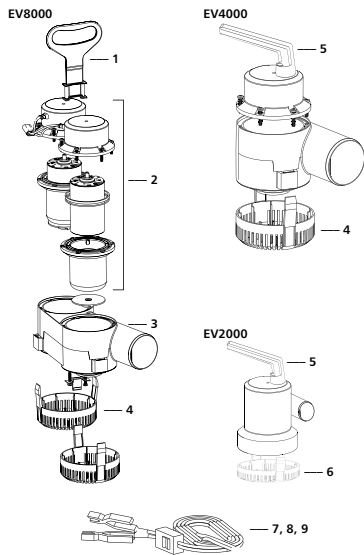
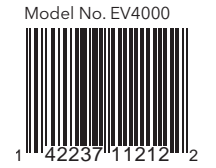
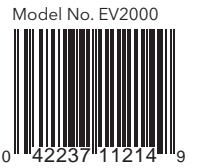
- Harsh environment DC motor technology, proven in over 15 million operational units
- Direct operation from a 12 volt vehicle battery, providing flexibility in location and use
- Extended dry run time capability, preventing pump damage due to inconsistent water flow
- Thermal overload, ensuring motor protection in the event of a locked rotor
- Integrated on/off switch in supplied cabling, providing operational convenience



rule
Innovation
a xylem brand

Evacuator Series HIGH EFFICIENCY PORTABLE UTILITY PUMPS

| Specifications | EV2000 | EV4000 | EV8000 |
|---------------------------------|---|---|---|
| Voltage | 12 Vdc | 12 Vdc | 12 Vdc |
| Flow | 2000 GPH (7570 LPH) | 4000 GPH (113250 LPH) | 8000 GPH (30283 LPH) |
| Flow with included hose adaptor | 1700 GPH (6435 LPH) | N/A | N/A |
| Amp. Draw | 12 amps (approx.) | 20 amps (approx.) | 30 amps (approx.) |
| Protection | Thermal Cut Off (TCO) | Thermal Cut Off (TCO) | Thermal Cut Off (TCO) for each motor |
| Port Configuration | 1.125 inch outlet (35 mm) (includes adaptor for 3/4" garden hose thread) | 2 inch outlet (51 mm) | 3 inch outlet (76 mm) |
| Height | 8" (203 mm) | 10.5" (267 mm) | 8.5" (215 mm) |
| Width | 6" (152 mm) | 5.5" (140 mm) | 12" (305 mm) |
| Length | 6.5" (165 mm) | 7" (178 mm) | 13.5" (343 mm) |
| Pump Weight | 3 lbs (1.4 kg) | 5.5 lbs (2.5 kg) | 11 lbs (5 kg) |
| Cable Weight | 3 lbs (1.4 kg) | 3 lbs (1.4 kg) | 4.5 lbs (2 kg) |
| Packaged Weight | 7 lbs (3.2 kg) | 9.5 lbs (4.3 kg) | 18 lbs (8.2 kg) |
| Packaged Dimensions | 15.5"L x 12.5"W x 10.5"H (394mm x 317mm x 267mm) | 15.5"L x 12.5"W x 10.5"H (394mm x 317mm x 267mm) | 15.5"L x 12"W x 13.5"H (394mm x 305mm x 343mm) |
| Master Pack Qty. | 1 | 1 | 1 |



| Key | 1 | 2 | 3 | 4 | 5 | 6 | 7 | 8 | 9 |
|-------------|-------------------------------|------------------|-------------------|--------------------------|--------------------|-----------------|---------------------|---------------------|---------------------|
| Description | EV8000 Handle & Strainer Clip | Motor Module [1] | Discharge Housing | EV8000/4000 Strainer [1] | EV4000/2000 Handle | EV2000 Strainer | EV8000 Wire Harness | EV4000 Wire Harness | EV2000 Wire Harness |
| Part No. | R-3001 | R-3002 | R-3003 | R-3004 | R-3007 | R-3008 | R-3005 | R-3006 | R-3009 |



Warranty: All products of the company are sold and all services of the company are offered subject to the company's warranty and terms and conditions of sale, copies of which will be furnished upon request. The information provided herein is for guidance only, it does not constitute a guarantee of the performance or specification of any individual product or component.

www.xylemflowcontrol.com

USA

Xylem
Cape Ann Industrial Park
Gloucester, MA 01930
Tel: +1.978.281.0440
Fax: +1.978.283.2619

UK

Xylem
Bingley Road, Hoddesdon
Hertfordshire EN11 0BU
Tel: +44 (0) 1992 450145
Fax: +44 (0) 1992 467132

GERMANY

Xylem
Oststrasse 28
22844 Norderstedt
Tel: +49.40.53.53.73.0
Fax: +49.40.53.53.73.11

JAPAN

NHK Jabsco Company Ltd.
3-21-10, Shin-Yokohama
Kohoku-Ku, Yokohama, 222-0033
Tel: +81.045.475.8906
Fax: +81.045.477.1162

ITALY

Xylem
Via Tommaseo, 6
20059 Vimercate, Milano
Tel: +39.039.685.2323
Fax: +39.039.666.307